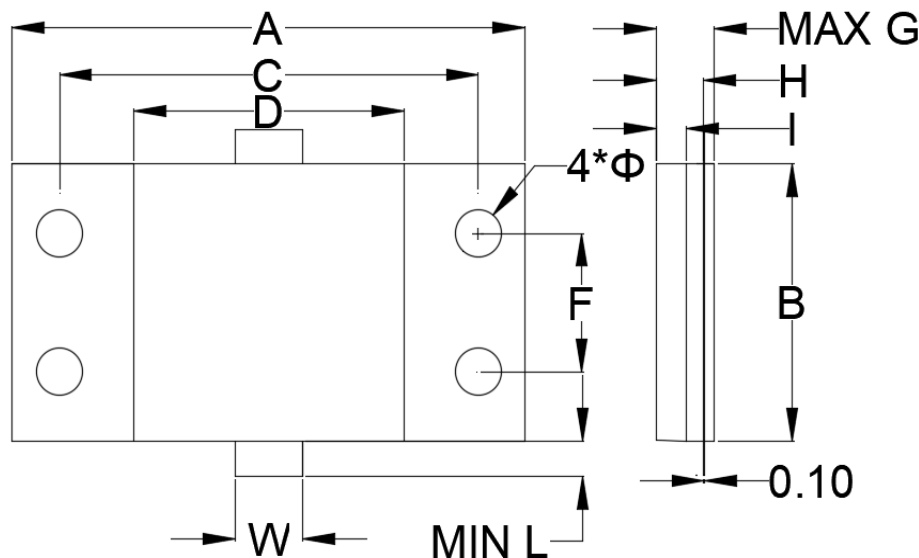
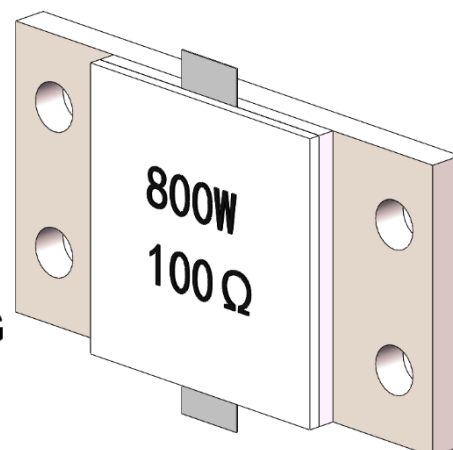


双引线四孔法兰电阻 (Flanged Resistors 800W/1000W)

主要技术指标 (General Specifications)

- 基片 (Material): 氧化铍 (BeO)
- 电阻材料 (Resistive Material): 厚膜 (Thick Film)
- 引线 (Tabs): 镀银铍铜合金 (Silver Plated Beryllium Copper)
- 盖板 (Cover): 氧化铝 (Al₂O₃)
- 法兰 (Flange): 镀镍铜 (Nickel Plated Copper)
- 阻值 (Resistance): 0.5Ω - 1MΩ

产品规格 (Product Reference)



型号	功率	外形尺寸 Dimensions										
Model	Power(W)	A	B	C	D	F	G	H	I	L	W	Φ
RPR483	800/1000	1.900	1.000	1.550	1.000	0.500	0.230	0.188	0.125	0.125	0.250	0.170
		[48.25]	[25.40]	[39.37]	[25.40]	[12.7]	[5.84]	[4.78]	[3.18]	[3.18]	[6.35]	[4.32]

尺寸单位为英寸[毫米] (Dimensions are in inches[mm]); 公差为: .xxx=±0.010 .XX=±0.015

订货指南 (Ordering Information)

例 (Example): RPR 726 N-10W -100 -5 G



降功耗曲线 (Power Derating)

