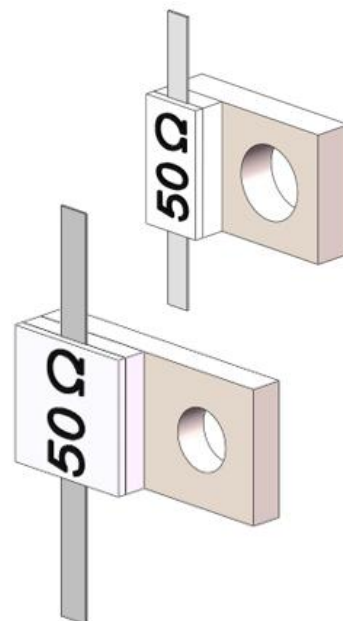
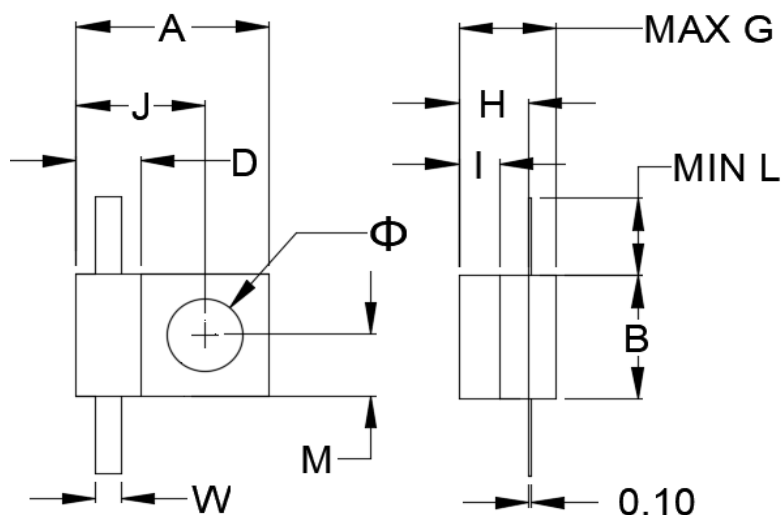


双引线单孔法兰电阻 (Flanged Resistors 10W/20W/40W/60W)

主要技术指标 (General Specifications)

- 基片 (Material): 氧化铍 (BeO)
- 电阻材料 (Resistive Material): 厚膜 (Thick Film)
- 引线 (Tabs): 镀银铍铜合金 (Silver Plated Beryllium Copper)
- 盖板 (Cover): 氧化铝 (Al₂O₃)
- 法兰 (Flange): 镀镍铜 (Nickel Plated Copper)
- 阻值 (Resistance): 0.5Ω - 1MΩ

产品规格 (Product Reference)



型号 Model	功率 Power(W)	外形尺寸 Dimensions										
		A	B	D	G	H	I	J	L	M	W	Φ
RPR762	10/20	0.300	0.200	0.100	0.150	0.105	0.062	0.200	0.125	0.100	0.030	0.116
		[7.62]	[5.08]	[2.54]	[3.81]	[2.67]	[1.57]	[5.08]	[3.18]	[2.54]	[1.02]	[2.95]
RPR131	40/60	0.515	0.250	0.250	0.150	0.105	0.062	0.390	0.250	0.125	0.060	0.116
		[13.08]	[6.35]	[6.35]	[3.81]	[2.67]	[1.57]	[9.90]	[6.35]	[3.17]	[1.52]	[2.95]

尺寸单位为英寸[毫米] (Dimensions are in inches[mm]); 公差为: .xxx=±0.010 .XX=±0.015

订货指南 (Ordering Information)

例 (Example): **RPR 726 N-10W -100 -5 G**

- 型号 (Type) — RPR
- 尺寸 (Size) — 726
- 基片 (Substrate) — N
- 无字母 (NO Letter): 氧化铍 (BeO)
- N: 氮化铝 (AlN)
- 功率 (Power (W)) — 10W
- 阻值 (Resistance) — 100
- 阻值允许偏差 (Tolerance) — 5
- 1: ±1% 2: ±2% 5: ±5%
- 电镀 (Tab Plating) — G
- 无字母 (No Letter): 镀银 (Silver Plated Tab)
- G: 镀金 (Gold Plated Tab)

降功耗曲线 (Power Derating)

