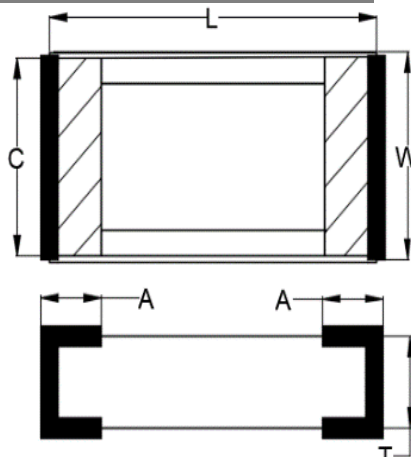


# 表贴电阻 (Power Chip(SMD) Resistors 10W/20W/40W/60W/70W/100W/125W/150W)

## 主要技术指标 (General Specifications)

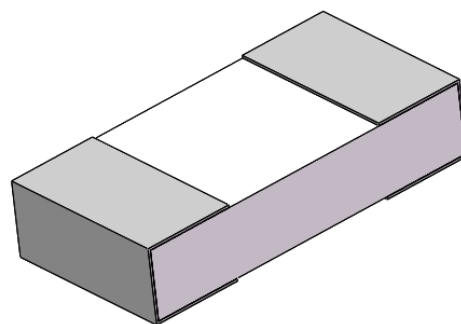
- 基片 (Material): 氧化铍 (BeO) 或氮化铝 (AlN)
- 电阻材料 (Resistive Material): 厚膜 (Thick Film)
- 电极 (Terminals): 银 (Silver)
- 阻值 (Resistance):  $0.5\Omega - 1M\Omega$

## 产品规格 (Product Reference)



俯视图 (Top View)

侧视图 (Side View)



氧化铍型零件号 Beryllium Oxide Part Number	W(±0.010)	L(±0.010)	T(±0.005)	C(±0.005)	A(±0.005)	Power (w)
RPCR5025	0.100 [2.54]	0.200 [5.08]	0.040 [1.02]	0.090 [2.29]	0.060 [1.52]	10/20
RPCR6363	0.250 [6.35]	0.250 [6.35]	0.040 [1.02]	0.240 [6.10]	0.060 [1.52]	40/60
RPCR9060	0.236[6.00]	0.354 [9.00]	0.040 [1.02]	0.220 [5.59]	0.050 [0.03]	75
RPCR9563	0.250 [6.35]	0.375 [9.53]	0.040 [1.02]	0.240 [6.10]	0.040 [1.02]	100
RPCR9595	0.375 [9.53]	0.375 [9.53]	0.040 [1.02]	0.365 [9.27]	0.040 [1.02]	125
RPCR127127	0.500 [12.7]	0.500 [12.7]	0.040 [1.02]	0.490[12.45]	0.040 [1.02]	150

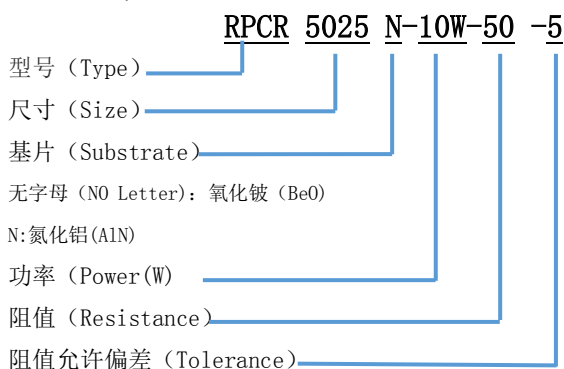
尺寸单位为英寸[毫米] (Dimensions are in inches[mm]); 公差为: .xxx=±0.010 .XX=±0.015

氮化铝型零件号 Aluminum Nitride Part Number	W(±0.010)	L(±0.010)	T(±0.005)	C(±0.005)	A(±0.005)	Power (w)
RPCR5025N	0.100 [2.54]	0.200 [5.08]	0.040 [1.02]	0.090 [2.29]	0.020 [0.51]	10/20
RPCR6363N	0.245 [6.22]	0.245 [6.22]	0.040 [1.02]	0.130 [3.30]	0.020 [0.51]	40
RPCR9563N	0.250 [6.35]	0.375 [9.53]	0.040 [1.02]	0.198 [5.03]	0.025 [0.64]	75

尺寸单位为英寸[毫米] (Dimensions are in inches[mm]); 公差为: .xxx=±0.010 .XX=±0.015

## 订货指南 (Ordering Information)

例 (Example):



1: ±1% 2: ±2% 5: ±5%

## 降功耗曲线 (Power Derating)

