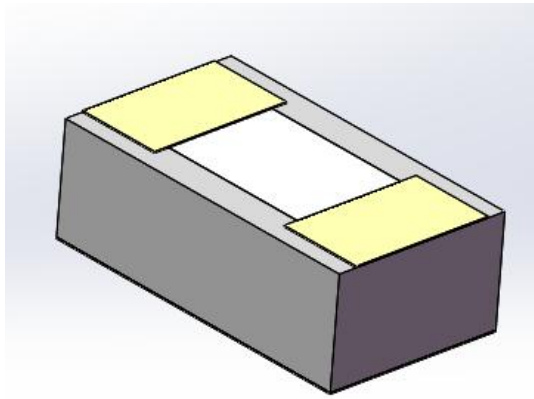


CVD DIAMOND CHIP RESISTOR



Performance Specifications

Part Number : DR0402

Nominal Resistance: 50 ohms 100 ohms $\pm 5\%$

Frequency: DC-18GHz

Capacitance: 0.1 pF Max

Power: 20 Watts

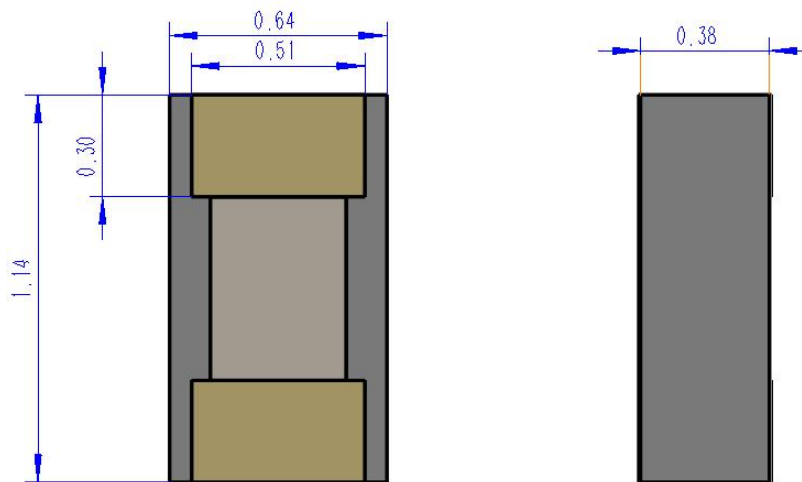
Operating Temperature: -55°C to $+150^{\circ}\text{C}$

Packaging: waffle

Solderable or Wire Bondable Terminals

Outline Drawing:

Tolerance is $\pm 0.127\text{mm}$ [0.005 inches] unless noted.



Power Derating:

