

QWCA-D84-N

WRD-84 to N

Features:
* Low VSWR

Applications:
* Wireless
* Transmitter
* Laboratory Test
* Radar

Electrical

Frequency: 0.84-2GHz
VSWR: 1.25 max.

Mechanical

RF Connectors: N
Interface: WRD-84
Flange: FPWRD84
Material: Aluminium

How To Order

QWCA-D84-X-Y

X: Connector type.

Y: End launch: E, Right angle: R.

E - End launch

R - Right angle (Outline A)

Connector naming rules:

N - N Male (Outline A)

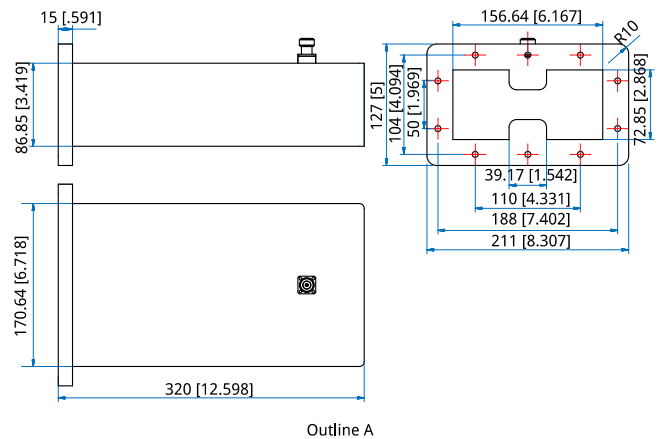
NF - N Female (Outline A)

Examples:

To order a waveguide to coax adapter, WR-D84 to N female, right angle, specify QWCA-D84-NF-R.

Customization is available upon request.

Outline Drawings



Unit: mm [in]

Tolerance: $\pm 0.2\text{mm}$ [$\pm 0.008\text{in}$]