

## QWCA-510-S

### WR-510 to SMA

Features:  
\* Low VSWR

Applications:  
\* Wireless  
\* Transmitter  
\* Laboratory Test  
\* Radar

#### Electrical

Frequency: 1.45~2.2GHz  
VSWR: 1.2 max.

#### Mechanical

RF Connectors: SMA  
Interface: WR-510  
Flange: FDP18  
Material: Aluminium

#### How To Order

##### QWCA-510-X-Y

X: Connector type.

Y: End launch: E, Right angle: R.

E - End launch

R - Right angle (Outline A)

Connector naming rules:

S - S Male (Outline A)

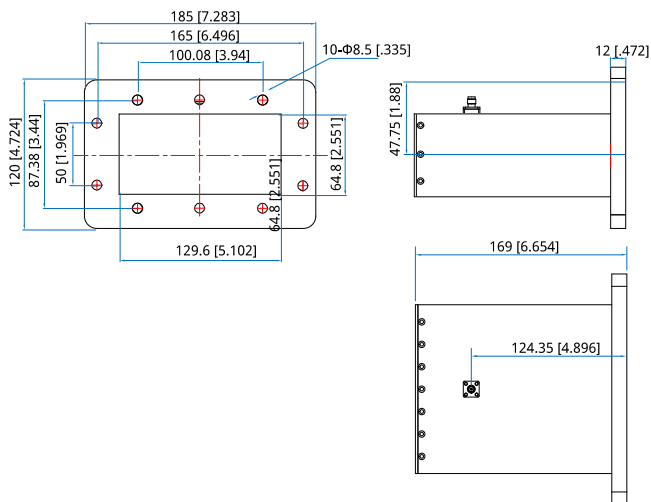
SF - S Female (Outline A)

Examples:

To order a waveguide to coax adapter, WR-510 to SMA female, right angle, specify QWCA-510-SF-R.

Customization is available upon request.

#### Outline Drawings



Outline A

Unit: mm [in]

Tolerance:  $\pm 0.2\text{mm}$  [ $\pm 0.008\text{in}$ ]