

QCT5010

DC~50GHz, 10W

Features:

- * Low VSWR
- * High Attenuation Flatness

Applications:

- * Wireless
- * Transmitter
- * Laboratory Test
- * Radar

Electrical

Frequency:	DC~50GHz
VSWR:	1.4 max.
Impedance:	50Ω
Average Power*1:	10W@25°C max.

[1] Derated linearly to 1W@125°C.

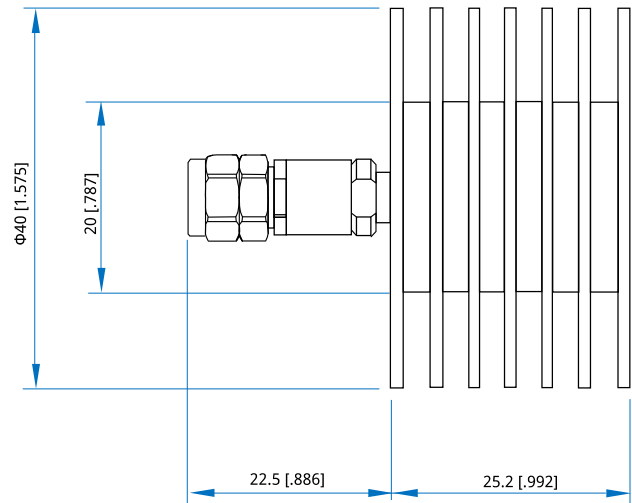
Mechanical

Size*1:	25.2*Φ40mm 0.992*Φ1.575in
RF Connectors:	2.4mm
Connector Housing:	Passivated stainless steel
Heat Sinks Housing:	Aluminum black anodize
Dielectric:	PEI
Male Inner Conductor:	Gold plated brass

[1] Exclude connectors.

Environmental

Operating Temperature:	-55~+125°C
Non-Operating Temperature:	-55~+125°C

Outline Drawings


Outline A

Unit: mm [in]

Tolerance: ±2mm [±0.08in]

How To Order
QCT5010-X-Y

X: Frequency in GHz

Y: Connector type

Connector naming rules:

2 - 2.4mm male (Outline A)

2F - 2.4mm female

Examples:

To order a termination, DC-50GHz, N male, specify QCT5010-50-2.

Customization is available upon request.