

QRJ1-50000-12

Singal Channel, DC~50GHz, 12.7mm

Features:

- * Low VSWR
- * Low VSWR Flatness
- * Low Insertion Loss Flatness

Applications:

- * High Speed Digital Signal Transmission
- * Analog Signal Transmission

Electrical

Frequency:	DC~50GHz
VSWR:	1.7 max.
VSWR Flatness:	0.2 max.
Insertion Loss:	0.9dB max.
Insertion Loss Flatness:	0.1 dB max.
Phase Flatness:	2° max.
Average Power:	50W max. @1GHz 15W max. @10GHz 5W max. @26.5GHz 3W max. @50GHz
Peak Power:	3000W max.
IP Grade:	IP40 acc. EN 60529

Mechanical

Connectors:	2.4mm female
Rotating Speed:	150RPM max.
Starting Torque:	0.5N.cm max.
Connector Axial Load:	0.1N max.
Rotating Torque:	0.5 N.cm max.
Connector Radial Load:	0.1N max.
Operation Life:	10M Cycles
Dielectric:	PTFE

How To Order

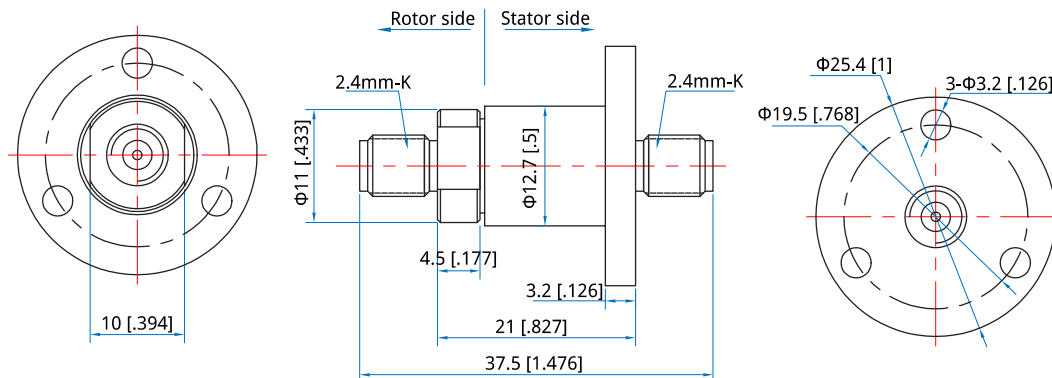
QRJ1-50000-12

Customization is available upon request.

Environmental

Temperature: -55~+85°C

Outline Drawings



Unit: mm [in]

Tolerance: ±0.2mm [±0.008in]