

QBM-2500-8000

2.5~8GHz

Features:

- * Low Conversion Loss
- * High Isolation

Applications:

- * Wireless
- * Transceiver
- * Laboratory Test
- * Broadcast

Electrical

RF Frequency:	2.5~8GHz
LO Frequency:	2.5~8GHz
LO Input Power:	+13dBm typ
IF Frequency:	DC~4GHz
Conversion Loss:	10dB typ.
RF/IF Input Power:	10dBm max.
Isolation (LO, RF):	18~25dB typ.
Isolation (LO, IF):	15~20dB typ.
Isolation (RF, IF):	8~15dB typ.

Mechanical

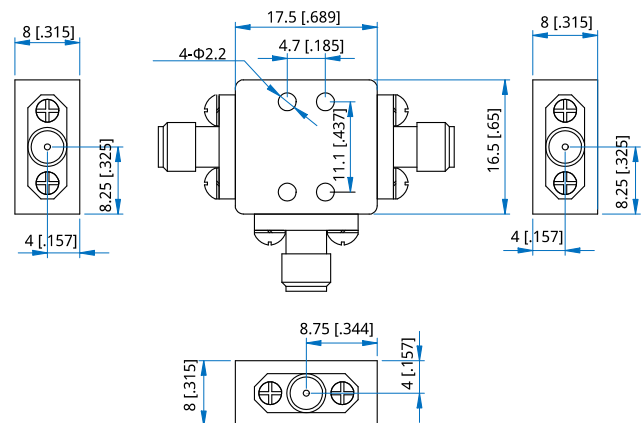
Size*1:	17.5*16.5*8mm 0.689*0.65*0.315in
Connectors:	SMA Female
Mounting:	4* Φ 2.2mm through-hole

[1] Exclude connectors.

Environmental

Operating Temperature: -40~+85°C

Outline Drawings



Unit: mm [in]

Tolerance: \pm 0.2mm [\pm 0.008in]

How To Order

QBM-2500-8000

Customization is available upon request.