

QPD3-17000-32000-20-K

3-Way, 17~32GHz

Features:
 * Small Size
 * Low Insertion Loss

Applications:
 * Amplifiers
 * Mixers
 * Antennas
 * Laboratory Test

Electrical

Frequency:	17~32GHz
Insertion Loss:	2dB max.
Input VSWR:	1.8 max.
Output VSWR:	1.6 max.
Isolation:	15dB min.
Amplitude Balance:	0.8dB max.
Phase Balance:	±10°
Impedance:	50Ω
Average Power:	20W max. 1W max. as combiner

Mechanical

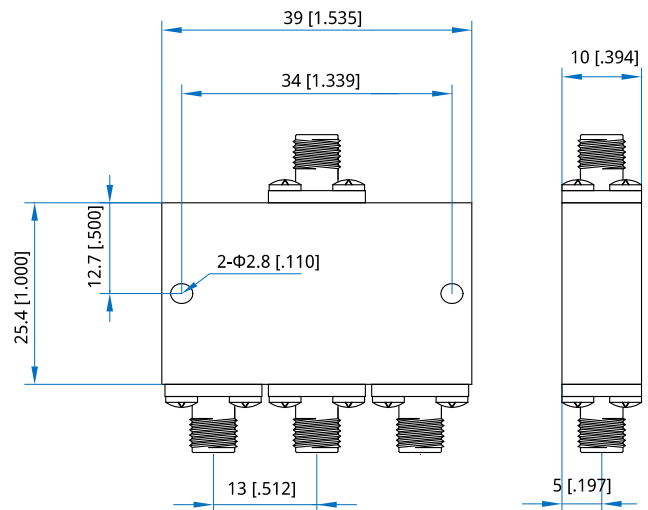
Size ^{*1} :	25.4*39*10mm 1*1.535*0.394in
Connectors:	2.92mm Female (Stainless steel)
Mounting:	2-Φ2.8mm through-hole

[1] Exclude connectors.

Environmental

Operation Temperature:	-45~+85°C
------------------------	-----------

Outline Drawings



Unit: mm [in]
 Tolerance: ±0.5mm [±0.02in]

How To Order

QPD3-17000-32000-20-K

Customization is available upon request.