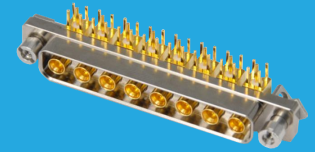


QC-8-FRB-01

DC~40GHz, Female, Right Angle

Features:
* Low VSWR

Applications:
* Wireless
* Radar
* Instruments
* Electronics



Electrical

Frequency: DC~40GHz
Impedance: 50Ω
VSWR: 1.25 typ.

Mechanical

Mating Cable connector: QC-8-MK-086-2
Outer Conductor: Gold plated brass
Dielectric: PTFE
Inner Conductor: Gold plated beryllium copper
Body: Nickel plated aluminum
Connector Gender: Female, right angle

Environmental

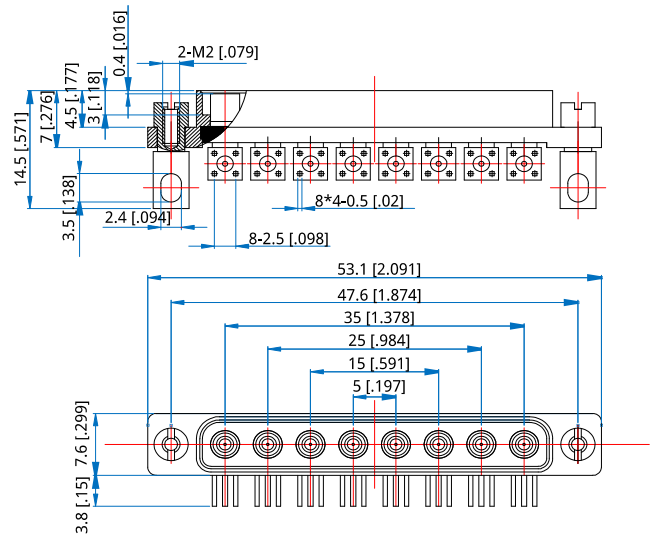
Temperature: -55~+165°C

How To Order

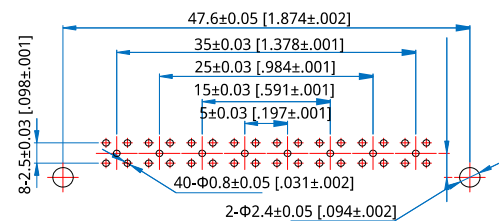
QC-8-FRB-01

Customization is available upon request.

Outline Drawings



PCB Land Pattern



Unit: mm [in]

Tolerance: ±0.2mm [±0.008in]