

# QSCB

## High Power, High Isolation

Features:  
 \* High Power  
 \* High Isolation  
 \* Low Insertion Loss  
 \* Low VSWR

Applications:  
 \* Wireless  
 \* Radar  
 \* Laboratory Test

### Description

QSCB series Surface Mount Circulators cover frequency range 825~4200MHz. High power, high isolation and low insertion loss make it ideal for a lot of applications like amplifiers, transceivers, etc.

### Specifications

| Part Number    | Frequency Range (MHz) | Insertion Loss (dB, max.) | Isolation (dB, min.) | VSWR (max.) | Temperature (°C) |
|----------------|-----------------------|---------------------------|----------------------|-------------|------------------|
| QSCB-825-865   | 825~865               | 0.35                      | 20                   | 1.25        | -40 ~ +85        |
| QSCB-840-845   | 840~845               | 0.3                       | 21                   | 1.2         | -40 ~ +85        |
| QSCB-860-960   | 860~960               | 0.4                       | 20                   | 1.25        | -40 ~ +85        |
| QSCB-869-894   | 869~894               | 0.35                      | 21                   | 1.2         | -40 ~ +85        |
| QSCB-880-915   | 880~915               | 0.35                      | 21                   | 1.2         | -40 ~ +85        |
| QSCB-902-928   | 902~928               | 0.3                       | 23                   | 1.2         | -40 ~ +85        |
| QSCB-925-960   | 925~960               | 0.3                       | 23                   | 1.2         | -40 ~ +85        |
| QSCB-1300-1400 | 1300~1400             | 0.4                       | 20                   | 1.25        | -40 ~ +85        |
| QSCB-1450-1550 | 1450~1550             | 0.35                      | 20                   | 1.25        | -40 ~ +85        |
| QSCB-1640-1740 | 1640~1740             | 0.35                      | 23                   | 1.2         | -40 ~ +85        |
| QSCB-1710-1880 | 1710~1880             | 0.35                      | 20                   | 1.25        | -40 ~ +85        |
| QSCB-1715-1805 | 1715~1805             | 0.3                       | 23                   | 1.2         | -40 ~ +85        |
| QSCB-1805-1880 | 1805~1880             | 0.35                      | 23                   | 1.2         | -40 ~ +85        |
| QSCB-1920-1990 | 1920~1990             | 0.35                      | 23                   | 1.2         | -40 ~ +85        |
| QSCB-1920-2170 | 1920~2170             | 0.35                      | 20                   | 1.25        | -40 ~ +85        |
| QSCB-2110-2170 | 2110~2170             | 0.3                       | 23                   | 1.2         | -40 ~ +85        |
| QSCB-2200-2300 | 2200~2300             | 0.35                      | 21                   | 1.2         | -40 ~ +85        |
| QSCB-2200-2800 | 2200~2800             | 0.5                       | 18                   | 1.3         | -40 ~ +85        |
| QSCB-2400-2500 | 2400~2500             | 0.35                      | 21                   | 1.2         | -40 ~ +85        |
| QSCB-2500-2600 | 2500~2600             | 0.35                      | 21                   | 1.2         | -40 ~ +85        |
| QSCB-2500-2700 | 2500~2700             | 0.35                      | 20                   | 1.25        | -40 ~ +85        |
| QSCB-3000-3100 | 3000~3100             | 0.3                       | 23                   | 1.2         | -40 ~ +85        |
| QSCB-3000-3600 | 3000~3600             | 0.5                       | 18                   | 1.3         | -40 ~ +85        |
| QSCB-3100-3500 | 3100~3500             | 0.4                       | 20                   | 1.25        | -40 ~ +85        |
| QSCB-3900-4200 | 3900~4200             | 0.4                       | 20                   | 1.25        | -40 ~ +85        |

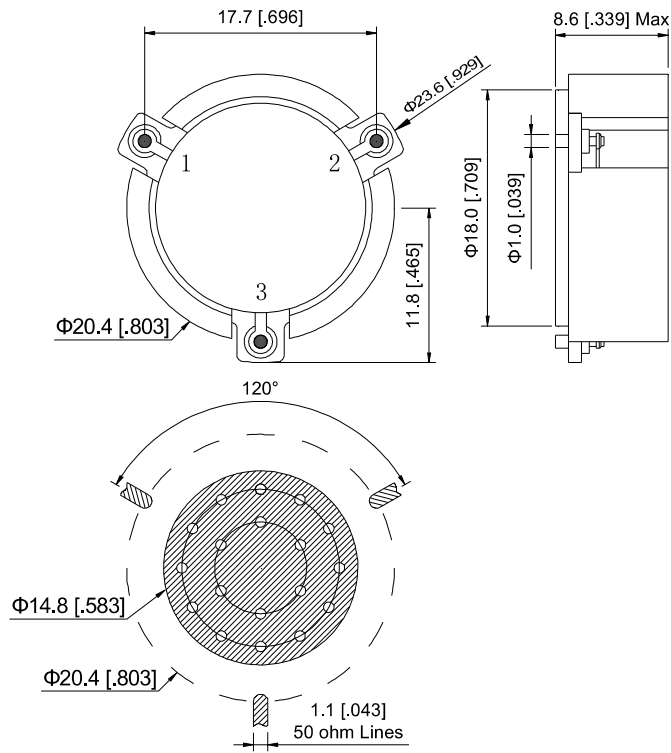
### Power Handling

Forward Power: 60W  
 Reverse Power: 60W

### Mechanical

Size:  $\Phi$ 23.6\*8.6mm  
 $\Phi$ 0.929\*0.339in

Outline Drawings



Unit: mm [inch]

Tolerance:  $\pm 0.2\text{mm}$  [ $\pm 0.008\text{in}$ ]

**How To Order**

**QSCB-X-Y**

X: Start frequency in MHz

Y: Stop frequency in MHz

Examples:

To order a QSCB series circulator, 825-865 MHz, specify QSCB-825-865.

Customization is available upon request.