

QBT-9000-11000-S

9~11GHz

Features:
 * Broadband
 * Small Size

Applications:
 * Telecom
 * Satcom
 * Laboratory Test
 * Instrumentation

Electrical

Frequency:	9~11GHz
Insertion Loss:	0.5dB max.
VSWR:	2 max.
Voltage/Current:	+28V DC/2A
Power Consumption:	56W max.
Average Power:	50W min.

Mechanical

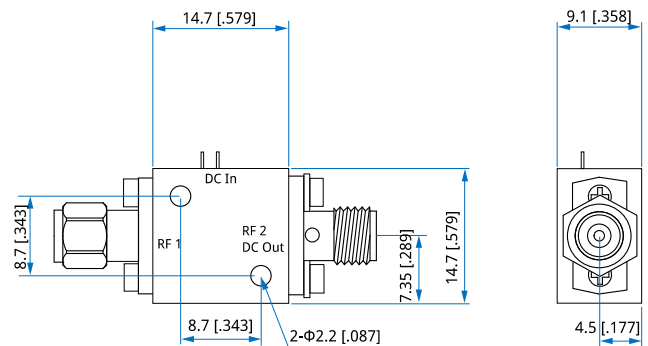
Size ^{*1} :	14.7*14.7*9.1mm 0.579*0.579*0.358in
Connectors:	SMA
Power Supply & Control Interface:	Solder Pin & Terminal Post
Mounting:	2-Φ2.2mm through-hole

[1] Exclude connectors.

Environmental

Operating Temperature:	-40~+70°C
Non-operating Temperature:	-55~+85°C

Outline Drawings



Unit: mm [in]
 Tolerance: ±0.2mm [±0.008in]

How To Order

QBT-9000-11000-S

Customization is available upon request.