

# QBT-5000-20000

## 5~20GHz

Features:  
 \* Broadband  
 \* Small Size

Applications:  
 \* Telecom  
 \* Satcom  
 \* Laboratory Test  
 \* Instrumentation

### Electrical

Frequency: 5~20GHz  
 Insertion Loss: 0.7dB max.  
 VSWR: 2 max.  
 Voltage: +10V DC  
 Average Power: 2W

### Mechanical

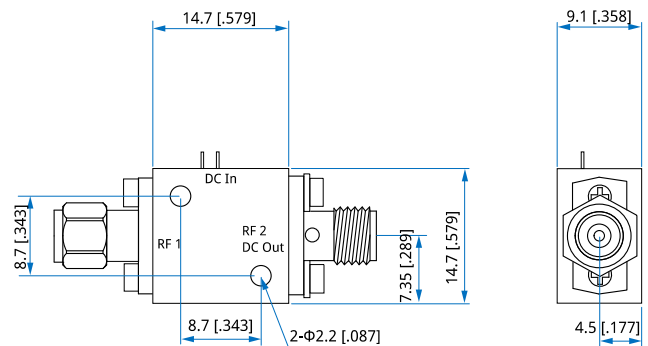
Size<sup>\*1</sup>: 14.7\*14.7\*9.1mm  
 0.579\*0.579\*0.358in  
 Connectors: SMA  
 Power Supply & Control Interface: Solder Pin & Terminal Post  
 Mounting: 2-Φ2.2mm through-hole

[1] Exclude connectors.

### Environmental

Operating Temperature: -40~+70°C  
 Non-operating Temperature: -55~+85°C

### Outline Drawings



Unit: mm [in]

Tolerance: ±0.2mm [±0.008in]

### How To Order

**QBT-5000-20000**

Customization is available upon request.