

QBT-10-4200-S

0.01~4.2GHz

Features:
 * Broadband
 * Small Size

Applications:
 * Telecom
 * Satcom
 * Laboratory Test
 * Instrumentation

Electrical

Frequency:	0.01~4.2GHz
Voltage:	+72V DC
Current:	1A max.
Average Power:	5W max.
Impedance:	50Ω

VSWR & Insertion Loss

Frequency (GHz)	Insertion Loss (dB max.)	VSWR (max.)
0.01~3	1	1.2
0.01~4.2	1.25	1.25

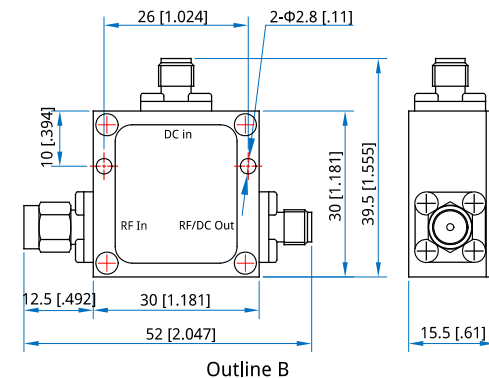
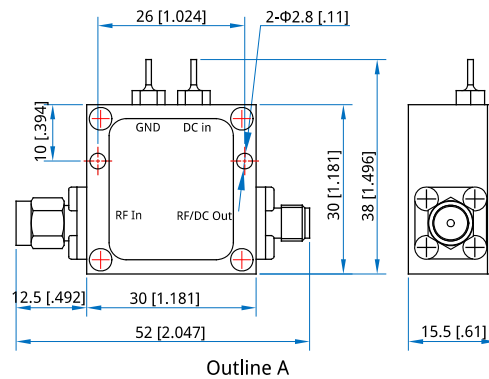
Mechanical

RF In Connector:	SMA male
DC/RF Out Connector:	SMA female
DC In Connector:	SMA female or Pin
Outer Conductor:	Gold plated brass
Male Inner Conductor:	Gold plated brass
Female Inner Conductor:	Gold plated beryllium copper
Housing:	Aluminum
Mounting:	2-Φ2.8mm through-hole

Environmental

Temperature:	-40~+65°C
--------------	-----------

Outline Drawings



Unit: mm [in]

Tolerance: ±0.2mm [±0.008in]

How To Order

QBT-X-Y-S-Z

X: Start frequency in MHz

Y: Stop frequency in MHz

Z: 01 (Outline A)

02 (Outline B)

Examples:

To order a bias tee, 0.01~4.2GHz, SMA male to SMA female, DC in SMA female, specify QBT-10-4200-S-02.

Customization is available upon request.