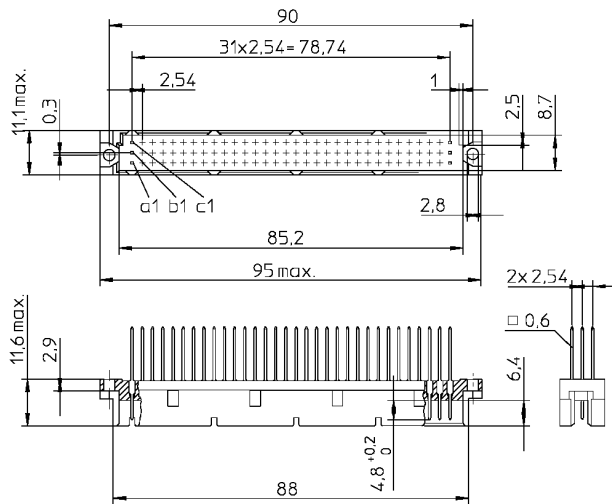
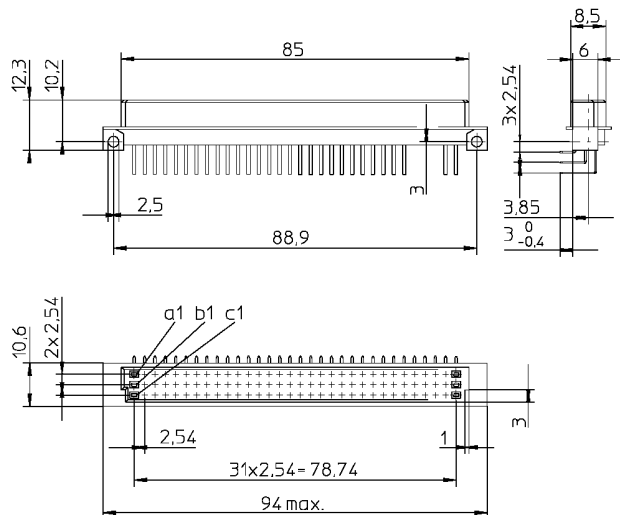


TWO-PART CONNECTORS FOR PRINTED BOARDS

MALE



FEMALE



TYPE R

Reversed
IEC 603
DIN 41612

MATERIALS

Connector body	Glass fiber filled polyester
Female contact	Phosphor bronze
Male contact	Copper alloy
Contact plating	Gold over nickel or.. Gold flash over nickel- palladium over nickel

ELECTRIC DATA

Current rating	1.5 A at 20 °C 1 A at 80 °C 0.75 A at 100 °C
Proof voltage	Contact/contact 1000 V (rms) Contact/test panel 1550 V (rms)
Insulation resistance	≥ 10 ⁶ MΩ
Contact resistance	≤ 20 mΩ
Minimum distance	
between	Creepage Clearance
- adjacent contacts	1.2 mm 1.2 mm
- contact and chassis	1.8 mm 1.6 mm

PHYSICAL DATA

Temperature range	-55 °C...+125 °C
Flammability	UL 94 V-O
Insertion force	32 pole ≤ 30 N 64 pole ≤ 60 N 96 pole ≤ 90 N
Retention force	≥ 0.15 N/contact pair

Mechanical endurance, salt mist, industrial atmosphere and other requirements according to IEC 603.

QUALITY DATA

Contact surfaces mechanically polished.
Dual-beam female contact profiled to trapezoidal form.

Frames, see sect. 8



VK
– R
064
M
S
– C1
E
– 0,8
/ 5
–001
–NP
R
CONNECTOR TYPE

Three row body 1A Reversed

R
064
CONTACT ARRANGEMENT AND NUMBER OF POSITIONS

	016
	032
	048
	064
	096
	A32
	B32
	X32
	B64
Special types	Z

M
TYPE OF CONTACT

 Female
Male

F
M
S
TYPE OF TERMINATION

 Solder
Wrap
Press-in

S
W
P
C1

Complete connector with contact finish of gold

A
TERMINATION STYLE

	F	MP	M
Right angle solder tail for 1.6 mm thick boards			
Straight solder tail for 1.6 mm thick boards			
Straight solder tail for 2.4 mm thick boards (Press-in from 1.5 to 4.0 mm)			
Wire wrap tail			
Wire wrap tail			
Wire wrap tail			

0,8
CONTACT FINISH

0,8	0.8 µm hard gold over 2 µm nickel
1,25	1.25 µm hard gold over 2 µm nickel
2,5	2.5 µm hard gold over 3 µm nickel
...	other platings on request

5
TERMINATION FINISH

1	1 µm tin over nickel on press-in area
5	5 µm tin over nickel
1,25	1.25 µm gold over nickel on contact area (5mm from the end)
0,1	0.1 µm gold over nickel
...	other platings on request

–001
MARKING FOR SPECIAL TYPES

Eg First Make – Last Break Option:
Male pins in any row may be extended 0.50 mm for ground before signal in types D and E.

–NP
ALTERNATIVE CONTACT FINISH

Gold flash over nickel palladium over nickel