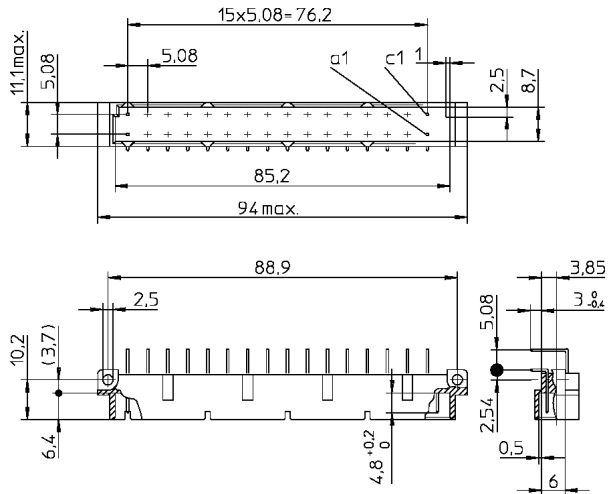
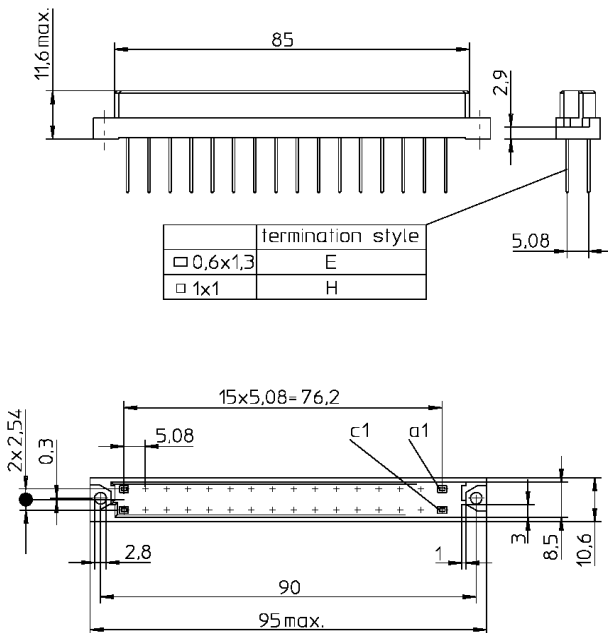


## TWO-PART CONNECTORS FOR PRINTED BOARDS

### MALE



### FEMALE



### TYPE D

IEC 603  
DIN 41612

### MATERIALS

Connector body	Glass fiber filled polyester
Female contact	Phosphor bronze
Male contact	Copper alloy
Contact plating	Gold over nickel or.. Gold flash over nickel- palladium over nickel

### ELECTRIC DATA

Current rating	5.5 A at 20 °C 4 A at 80 °C 2.5 A at 100 °C	
Proof voltage	Contact/contact 1550 V (rms) Contact/test panel 1550 V (rms)	
Insulation resistance	≥ 10 <sup>6</sup> MΩ	
Contact resistance	≤ 15 mΩ	
Minimum distance		
between	Creepage	Clearance
- adjacent contacts	3.0 mm	3.0 mm
- contact and chassis	1.8 mm	1.6 mm

### PHYSICAL DATA

Temperature range	-55 °C...+125 °C
Flammability	UL 94 V-O
Insertion force	32 pole ≤ 30 N
Retention force	≥ 0.15 N/contact pair

Mechanical endurance, salt mist, industrial atmosphere and other requirements according to IEC 603.

### QUALITY DATA

Contact surfaces mechanically polished.  
Dual-beam female contact profiled to trapezoidal form.

**VK**
**- D**
**032**
**M**
**S**
**- C1**
**A**
**- 0,8**
**/ 5**
**-001**
**-NP**
**D**
**CONNECTOR TYPE**

Two row body 4A

**D**
**032**
**CONTACT ARRANGEMENT AND NUMBER OF POSITIONS**

	016
	032
	A16
	C16
	X16
Special types	Z

**A**
**TERMINATION STYLE**

	F	M
Right angle solder tail for 1.6 mm thick boards	A	
Straight solder tail for 2.4 mm thick boards	E	
Wire wrap tail	H	

**0,8**
**CONTACT FINISH**

0,8	0.8 µm hard gold over 2 µm nickel
1,25	1.25 µm hard gold over 2 µm nickel
2,5	2.5 µm hard gold over 3 µm nickel
...	other platings on request

**5**
**TERMINATION FINISH**

5	5 µm tin over nickel
1,25	1.25 µm gold over nickel on contact area (5mm from the end)
0,1	0.1 µm gold over nickel
...	other platings on request

**-001**
**MARKING FOR SPECIAL TYPES**

Please contact manufacturer.

**-NP**

Gold flash over nickel palladium over nickel

**M**
**TYPE OF CONTACT**

 Female  
Male

**F**
**M**
**S**
**TYPE OF TERMINATION**

 Solder  
Wrap

**S**
**W**
**C1**

Complete connector with contact finish of gold

**Valukumpu Oy** ■ Raivaajantie 1 ■ FI-80100 Joensuu ■ Finland  
 ■ Tel. +358-13-564 320 ■ Fax +358-13-313 600 ■ www.valukumpu.fi  
 ■ e-mail: sales @valukumpu.fi


**Valukumpu Oy**

Rev. 1.3