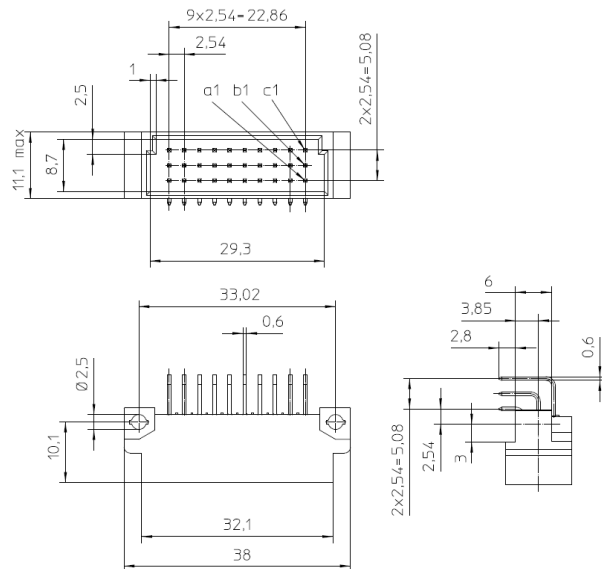
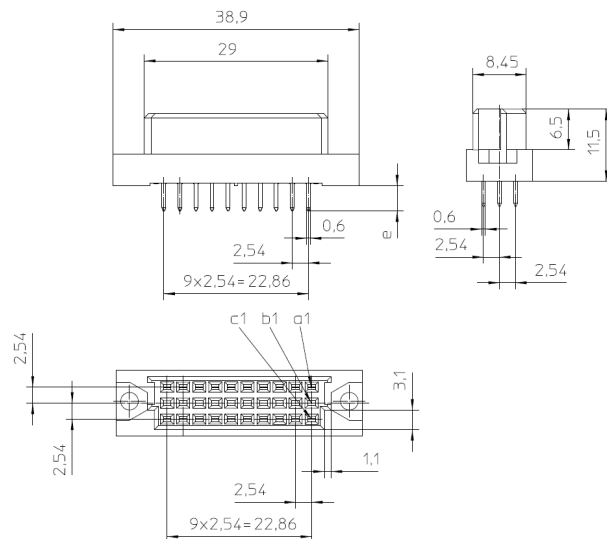


TWO-PART CONNECTORS FOR PRINTED BOARDS

MALE



FEMALE



TYPE C/3

IEC 603
DIN 41612
Complementary to type C

MATERIALS

Connector body	Glass fiber filled polyester
Female contact	Phosphor bronze
Male contact	Copper alloy
Contact plating	Gold over nickel or.. Gold flash over nickel - palladium over nickel

ELECTRIC DATA

Current rating	1.5 A at 20 °C 1 A at 80 °C 0.75 A at 100 °C	
Proof voltage	Contact/contact 1000 V (rms) Contact/test panel 1550 V (rms)	
Insulation resistance	$\geq 10^6 \text{ M}\Omega$	
Contact resistance	$\leq 20 \text{ m}\Omega$	
Minimum distance		
between	Creepage	Clearance
- adjacent contacts	1.2 mm	1.2 mm
- contact and chassis	1.8 mm	1.6 mm

PHYSICAL DATA

Temperature range	-55 °C...+125 °C
Flammability	UL 94 V-O
Insertion force	21 pole $\leq 20 \text{ N}$
Retention force	$\geq 0.15 \text{ N/contact pair}$

Mechanical endurance, salt mist, industrial atmosphere and other requirements according to IEC 603.

QUALITY DATA

Contact surfaces mechanically polished.
Dual-beam female contact profiled to trapezoidal form.

VK – C/3 020 M S – C1 A – 0,8 / 5 –001 –NP

C/3	CONNECTOR TYPE	
	Three row body 1A	C/3

020	CONTACT ARRANGEMENT AND NUMBER OF POSITIONS	
		020 030
	Special types	Z

M	TYPE OF CONTACT	
	Female	F
	Male	M

S	TYPE OF TERMINATION	
	Solder	S
	Wrap	W
	Press-in	P

C1	Complete connector with contact finish of gold	
-----------	--	--

A	TERMINATION STYLE				
		F	FP	M	MP
Right angle solder tail for 1.6 mm thick boards	A				
Straight solder tail for 1.6 mm thick boards	D				
Straight solder tail for 2.4 mm thick boards (Press-in from 1.5 to 4.0 mm)	E				
Wire wrap tail	F				
Wire wrap tail	H				
Hand solder eyelet	O				

0,8	CONTACT FINISH	
0,8	0.8 µm hard gold over 2 µm nickel	
1,25	1.25 µm hard gold over 2 µm nickel	
2,5	2.5 µm hard gold over 3 µm nickel	
...	other platings on request	

5	TERMINATION FINISH	
1	1 µm tin over nickel on press-in area	
5	5 µm tin over nickel	
1,25	1.25 µm gold over nickel on contact area (5mm from the end)	
0,1	0.1 µm gold over nickel	
...	other platings on request	

-001	MARKING FOR SPECIAL TYPES	
Eg	First Make – Last Break Option: Male pins in any row may be extended 0.50 mm for ground before signal applications, please contact manufacturer.	

-NP	ALTERNATIVE CONTACT PLATING	
	Gold flash over nickel palladium over nickel	