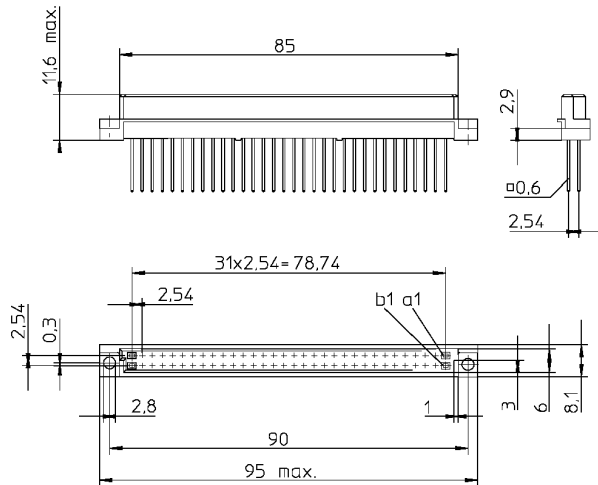


TWO-PART CONNECTORS FOR PRINTED BOARDS

FEMALE



TYPE B

IEC 603
DIN 41612

MATERIALS

Connector body	Glass fiber filled polyester
Female contact	Phosphor bronze
Contact plating	Gold over nickel or.. Gold flash over nickel- palladium over nickel

ELECTRIC DATA

Current rating	1.5 A at 20 °C 1 A at 80 °C 0.75 A at 100 °C
Proof voltage	Contact/contact 1000 V (rms) Contact/test panel 1550 V (rms)
Insulation resistance	≥ 10 ⁶ MΩ
Contact resistance	≤ 20 mΩ

PHYSICAL DATA

Temperature range	-55 °C...+125 °C
Flammability	UL 94 V-O
Insertion force	32 pole ≤ 30 N 64 pole ≤ 60 N
Retention force	≥ 0.15 N/contact pair

Mechanical endurance, salt mist, industrial atmosphere and other requirements according to IEC 603.

QUALITY DATA

Contact surfaces mechanically polished.
Dual-beam female contact profiled to trapezoidal form.

VK
– B
064
F
S
– C1
E
– 0,8
/ 5
–001
–NP
B
CONNECTOR TYPE

Two row body 1A

B
064
CONTACT ARRANGEMENT AND NUMBER OF POSITIONS

	016
	032
	064
	A32
	B32
	X32
Special types	Z

F
TYPE OF CONTACT

Female

F
S
TYPE OF TERMINATION

 Solder
Wrap
Press-in

S
W
P
C1

Complete connector with contact finish of gold

A
TERMINATION STYLE

		F	FP
Straight solder tail for 1.6 mm thick boards	D		
	E		
Straight solder tail for 2.4 mm thick boards (Press-in from 1.5 to 4.0 mm)			
Wire wrap tail	F		
Wire wrap tail	H		

0,8
CONTACT FINISH

0,8	0.8 µm hard gold over 2 µm nickel
1,25	1.25 µm hard gold over 2 µm nickel
2,5	2.5 µm hard gold over 3 µm nickel
...	other platings on request

5
TERMINATION FINISH

1	1 µm tin over nickel on press-in area
5	5 µm tin over nickel
1,25	1.25 µm gold over nickel on contact area (5mm from the end)
0,1	0.1 µm gold over nickel
...	other platings on request

–001
MARKING FOR SPECIAL TYPES

Eg	First Make – Last Break Option: Male pins in any row may be extended 0.50 mm for ground before signal applications, please contact manufacturer.
----	--

–NP
ALTERNATIVE CONTACT FINISH

Gold flash over nickel-palladium over nickel