

# RED LASER DIODE

## DL-LS1155A

## Tentative

# SANYO

Ver.2 Jun. 2005

### Features

- wavelength : 658 nm (Typ.)
- High output power :80 mW at 60°C (CW)
- Low threshold current : lth =50 mA (Typ.)
- Package :  $\phi$ 5.6 mm
- TE mode

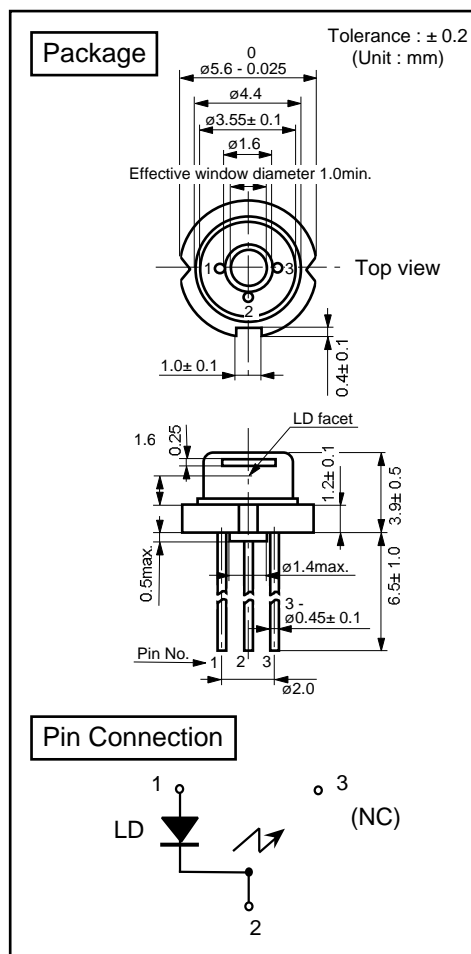
### Applications

- Industrial equipment

### Absolute Maximum Ratings

(Tc=25°C)

Parameter		Symbol	Ratings	Unit
Light Output	CW	Po (CW)	80	mW
Reverse Voltage	Laser	VR	2	V
	PD		30	
Operating Temperature		Topr	-10 to +60	°C
Storage Temperature		Tstg	-40 to +85	°C



### Electrical and Optical Characteristics <sup>3) 4)</sup>

(Tc=25°C)

Parameter		Symbol	Condition	Min.	Typ.	Max.	Unit
Threshold Current		lth	CW	-	50	80	mA
Operating Current		lop	Po=80mW	-	130	160	mA
Operating Voltage		Vop	Po=80mW	-	2.6	3.0	V
Lasing Wavelength		Lp	Po=80mW	652	658	664	nm
Beam <sup>3)</sup> Divergence	Perpendicular	Qv	Po=80mW	15	17	20	°
	Parallel	Qh	Po=80mW	7	9.5	12	°
Off Axis Angle	Perpendicular	dQv	-	-3	-	3	°
	Parallel	dQh	-	-3	-	3	°
Differential Efficiency		SE	-	-	1.0	-	mW/mA

3) Initial values 4) All the above values are evaluated with Tottori Sanyo's measuring apparatus

5) Full angle at half maximum

Note : The above product specification are subject to change without notice.